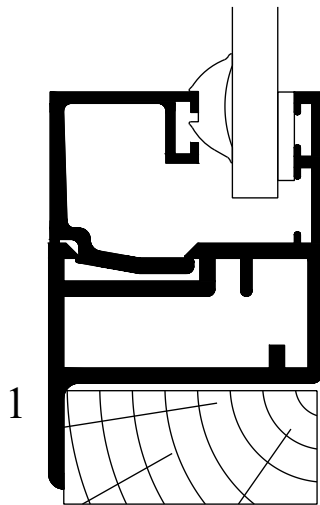
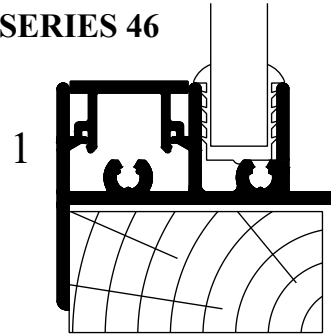
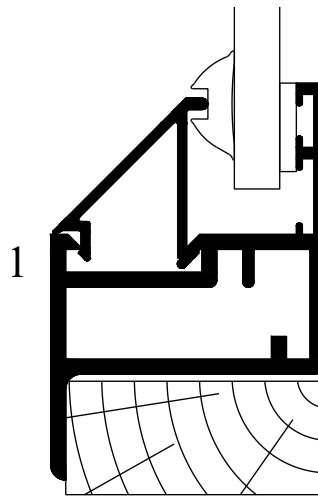


STYLE FL

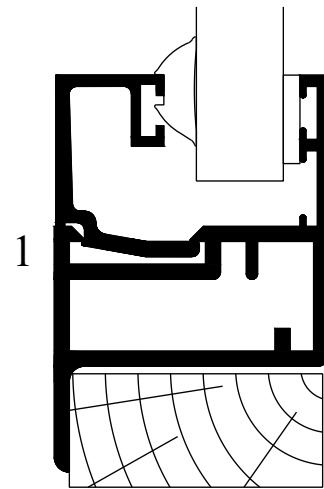
SERIES 46



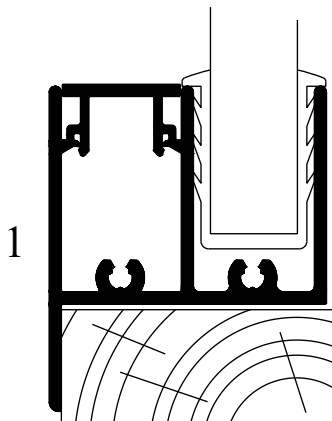
SERIES 40
6mm SQUARE
BEAD OPTION



SERIES 40
6mm CHAMFER
BEAD OPTION



SERIES 40
11.5mm SQUARE
BEAD OPTION



SERIES 42
(11.5mm
GASKET)

Drawings show standard 33 x 15mm softwood grounds without packing tolerance.
Selectaglaze Ltd. reserves the right to alter any of the sections without prior notice.

SCALE 1:1
(print without scaling)

DRAWN	DATE	ISSUE	AA	BA	BB	BC		
S. THOMPSON	18-06-08	C.N.	08/015	11/008	15-010	19-015		
DESCRIPTION	STANDARD FIXED LIGHT RANGE							
This document is the property of Selectaglaze Ltd and full copyright is reserved			SHEET 1 OF 1 SHEETS			CAD FILE NAME	DS-242-BC.dwg	
			DATA SHEET NUMBER	DS-242			ISSUE BC	