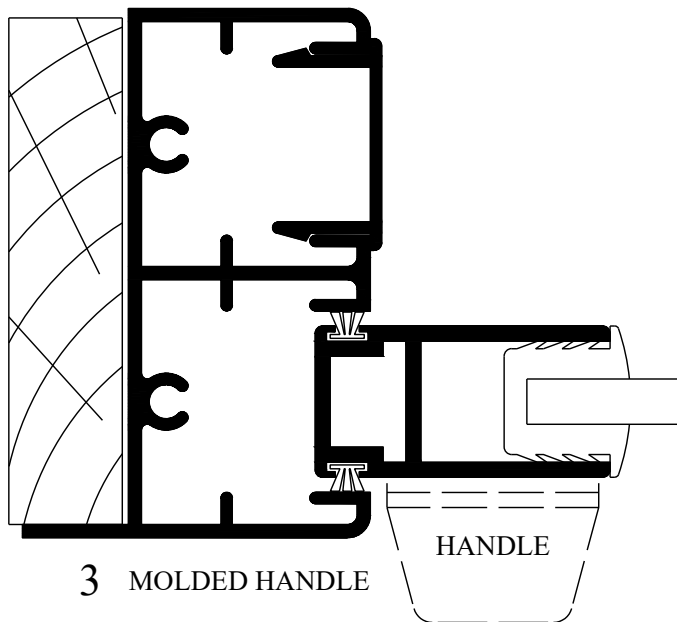
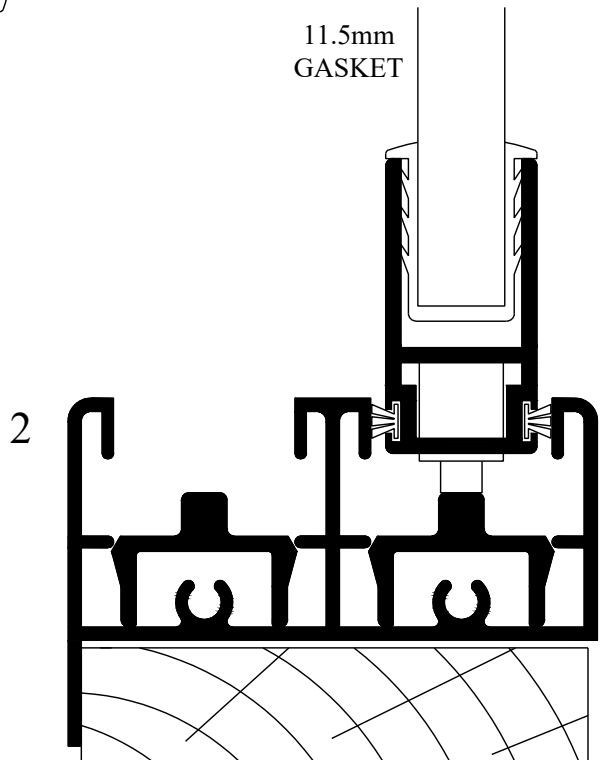
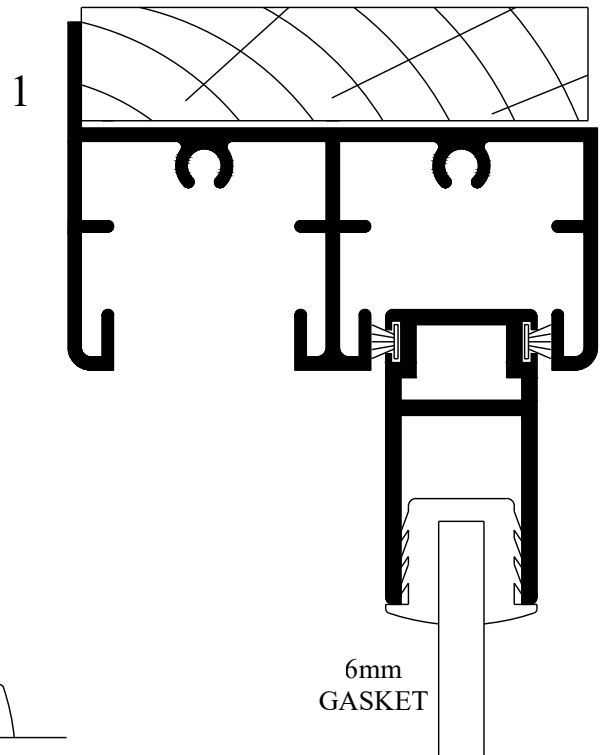


3 RECESSED HANDLE (OPTION)



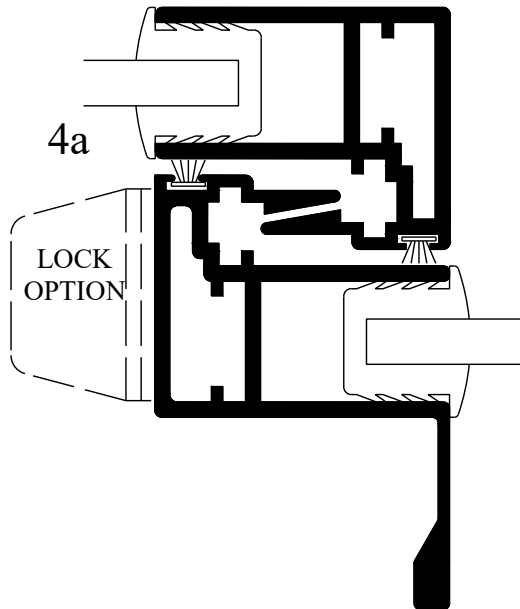
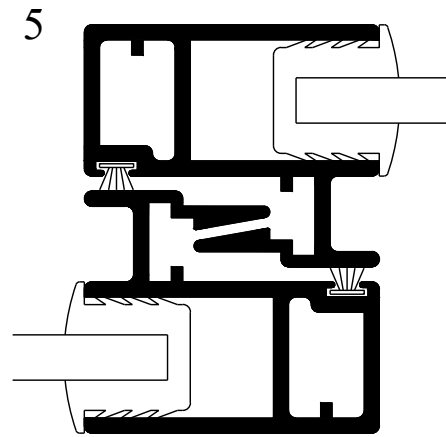
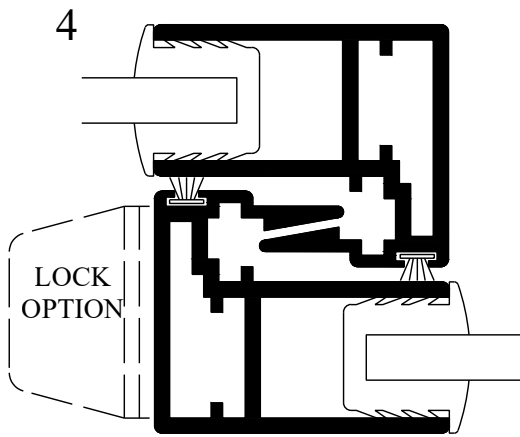
3 MOLDED HANDLE



SCALE 1:1
(print without scaling)

Drawings show standard 68 x 15mm softwood grounds without packing tolerance. Selectaglaze Ltd. reserves the right to alter any of the sections without prior notice.

DRAWN	DATE	ISSUE	AA	AB	BA	BB	BC	BD	
S. THOMPSON	06-10-06	C.N.	06/035	09/005	11/008	16-073	17-060	18-053	
DESCRIPTION	SERIES 80 HEAVY DUTY HORIZONTAL SLIDING UNIT								
This document is the property of Selectaglaze Ltd and full copyright is reserved			SHEET 1 OF 2 SHEETS			CAD FILE NAME		DS-280-BD.dwg	
			DATA SHEET NUMBER		DS-280			ISSUE BD	



Drawings show standard 68 x 15mm softwood grounds without packing tolerance.
Selectaglaze Ltd. reserves the right to alter any of the sections without prior notice.

SCALE 1:1
(print without scaling)

DRAWN	DATE	ISSUE	AA	AB	BA	BB	BC	BD
S. THOMPSON	06-10-06	C.N.	06/035	09/005	11/008	16-073	17-060	18-053
DESCRIPTION	SERIES 80 HEAVY DUTY HORIZONTAL SLIDING UNIT							
This document is the property of Selectaglaze Ltd and full copyright is reserved			SHEET 2 OF 2 SHEETS			CAD FILE NAME	DS-280-BD.dwg	
			DATA SHEET NUMBER	DS-280			ISSUE BD	