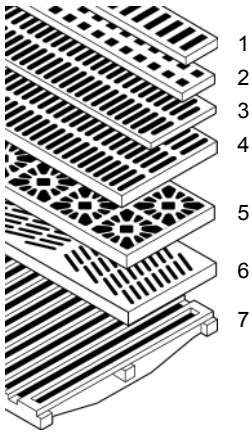
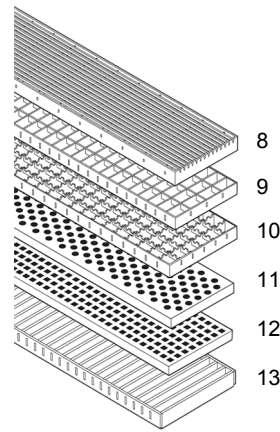


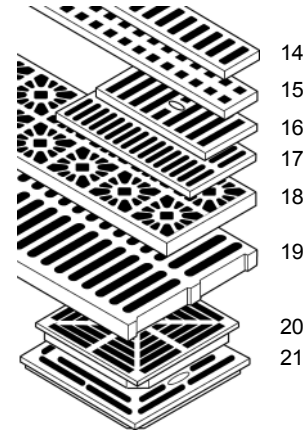
Nickel Bronze Gratings



Stainless Steel Gratings



Cast Iron Gratings



Nickel Bronze - BS EN 1982 - Satin Finish

Spec Code	Illust. No.	Length	Width	Depth	Slot Width
SN11230	1	500	60	15	10
SN11430	2	500	60	15	16
SN12220	3	546	118	10	6
SN12230	3	663	135	15	8
SN13240	4	486	186	19	10
SN16330	7	483	300	15	12

Floral

SN23930	5	500	150	15	15 Max
---------	---	-----	-----	----	--------

Decorative

SN23130	6	500	150	15	4
---------	---	-----	-----	----	---

Aluminium - LM 6

Spec Code	Illust. No.	Length	Width	Depth	Slot Width
SA12220	3	546	118	10	8
SA12230	3	663	135	15	8
SA16330	7	483	300	15	12

Stainless Steel - Austenitic Grade 304

Spec Code	Illust. No.	Length	Width	Depth	Slot Width
SS3080A5	8	500	80	20	5
SS3135A5	8	500	135	20	5
SS3135A1	8	1000	135	20	5
SS3150A5	8	500	150	20	5

Plain Mesh

SS50322	9	500	123	20	30 x 10
SS51422	9	500	135	20	30 x 16

Anti-Slip Mesh

SS70222	10	500	123	20	23 sq.
SS73232	10	500	150	30	23 sq.
SS73242	10	500	150	40	23 sq.
SS74232	10	500	200	30	23 sq.
SS74242	10	500	200	40	23 sq.
SS75242	10	500	250	40	23 sq.

Pressed

SS42232	11	1000	135	15	8
SS43233	12	1000	150	15	8

Stainless Steel Bar - (Illustration No. 13) Manufactured to Order

Cast Iron

Spec Code	Illust. No.	Length	Width	Depth	Slot Width
SC11230	14	500	60	15	10
SC11430	15	500	60	15	16 sq.
SC12430	16	308	116	15	16
SC12330	17	387	144	12	11
SC23930	18	500	150	15	15 Max

Lacquered Cast Iron BS EN 1561

SI23930	18	500	150	15	15 Max
SI16460	19	610	305	26	16

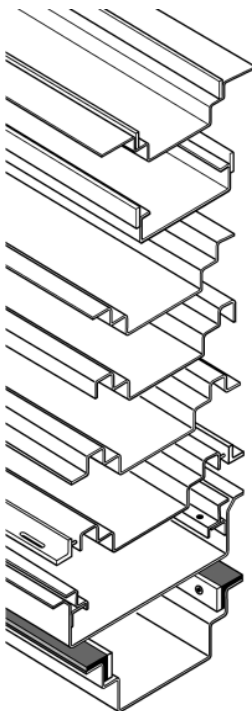
Sheradized Ductile Iron BS EN 1563 + 1564

SG15350	20	252	252	21	12
SG16250	21	303	30	25	9

Stainless Steel Channel - Austenitic Grade 304: (Grade 316 also available)

For use with gratings shown above

Profile:



NEF - Narrow Edge Flanged
An extended flange enables fixing to a timber-deck and dressing a membrane when required.

NE - Narrow Edge

Show edge may also be manufactured of materials to complement grating, e.g. nickel bronze, cast iron etc.

RP - Regular

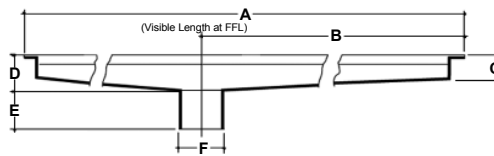
RE - Return Edge

SE - Support Edge

PA - Perimeter Angle Frame

SVF - For use with sheet floor covering such as vinyl, min. grating width required is 80mm.

RPV - Profile RP is available with a decorative factory fitted PVC angle edging strip to which sheet floor covering can be butt welded at the time of installation; such channel is particularly suited to heavy duty applications.



To Specify/Order Channel with Grating Quote:

Grating: Spec Code

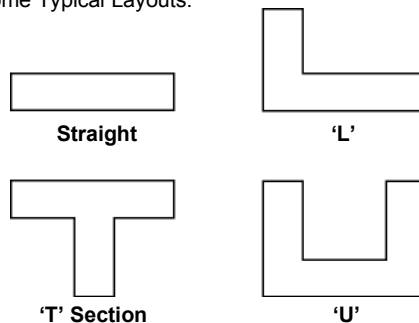
Channel Profile: Spec Code

General Dimensions: In mm (A to E)

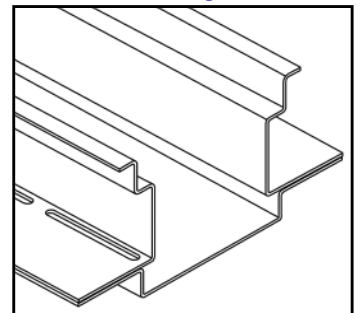
Outlet Connection: Details - (F Above - Size/Type of Pipework System)

Thickness of Floor Finish: (Where applicable)

Some Typical Layouts:



Dual Level Drainage Channel



Provides primary drainage at finished floor level plus secondary drainage at membrane level. Suitable for installation in pedestrian and light vehicular areas only. Secondary drainage is available with the Channel profiles shown on the left.

To Order/Specify, Quote:

Grating: - Spec. Code

Channel Profile: - Spec. Code

Secondary Drainage:

Single - Spec. Code SSD

Double - Spec. Code DSD

General Dimensions: In mm

Outlet Connection: Details

Membrane Depth: From finished floor level