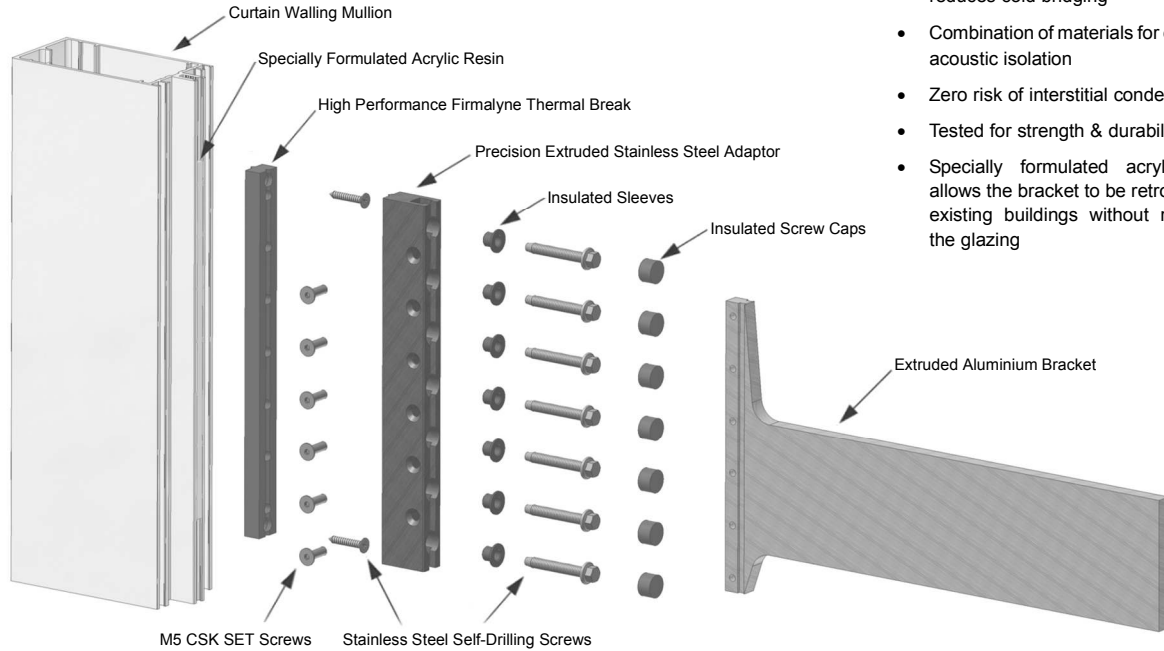


74 - Examples of Technical Data Available from Levolux

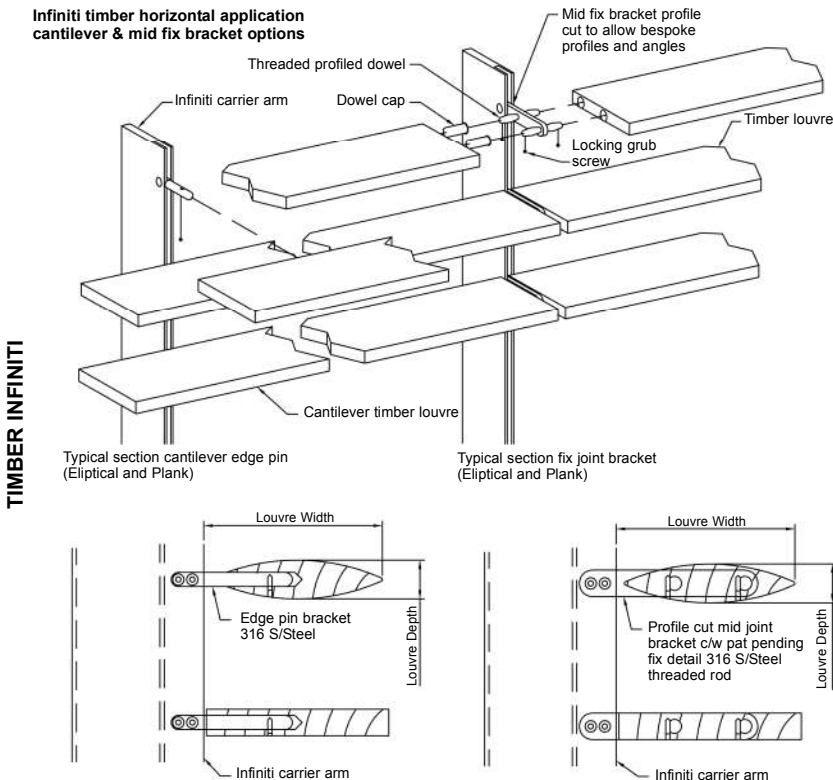
TRINITI® RF (RESIN FIX) BRACKET RETRO-FITTED CURTAIN WALLING FIXING METHOD - GENERAL ARRANGEMENT



Key Benefits

- Unique thermal break significantly reduces cold bridging
- Combination of materials for excellent acoustic isolation
- Zero risk of interstitial condensation
- Tested for strength & durability
- Specially formulated acrylic resin allows the bracket to be retro-fitted to existing buildings without removing the glazing

Infiniti timber horizontal application cantilever & mid fix bracket options



TIMBER INFINITI

C/S/18 | 78.7

LEVOLUX

Drawing No.
G.A. 900/Infini/Timber/01

Specification

Manufacturer and reference: Levolux Timber Infiniti solar shading system supplied and installed by Levolux Limited
Tel: 020 8863 9111 or Levolux A.T. Limited Tel: 01452 500007.

Description: Profiled timber solar shading complete with Infiniti carrier system and hidden fixing detail.

Blade Pitch: Pitch and blade angle is dependant upon blade size for sun cut off angle.

Material: Timber type to be specified by client. Infiniti system manufactured from extruded aluminium alloy 6063.

Finish: Timber to be specified. Aluminium polyester powder coated to RAL ... , average 60 microns/anodised AA25/mill finish/PVDF.

Brackets: Stainless steel 316 grade can be profiled to suit specific angle or louvre section.

Typical Spans: For elliptical profile based on 900N/m².

Blade (finished size mm)	OAK	Western Red Cedar
188 x 44	3.05m	2.80m
290 x 44	3.00m	2.75m
388 x 63	4.05m	3.80m

Support centres will be dependent upon type of wood and loadings.

LEVOLUX

LEVOLUX LIMITED
Forward Drive, Harrow, Middlesex HA3 8NT
Telephone: (+44) 020 8863 9111
Facsimile: (+44) 020 8863 8760
email: info@levolux.com

LEVOLUX A.T. LIMITED
24 Riverside Close, Gloucester GL4 3JF
Telephone: (+44) 01452 500007
Facsimile: (+44) 01452 527096
web: www.levolux.com

Levolux Limited
Forward Drive
Harrow
Middlesex
HA3 8NT

Tel : 020 8863 9111
Fax : 020 8863 8760

www.levolux.com
info@levolux.com

LEVOLUX
DESIGNED TO CONTROL