

EMCEL - Typical Specifications for Standard Air Filters

EMCEL Filters Ltd

EMCEL specialise in the design and manufacture of a wide range of filters for air and gas purification applications ranging from simple air conditioning to complex chemical systems. Please find below typical performance data based on some of our ranges.

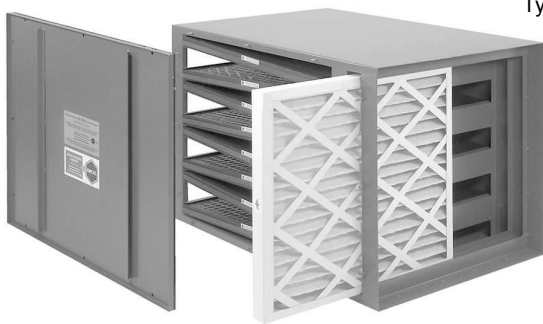
Activated Carbon Filter Units

EMCEL Filters specialises in producing carbon filter units to suit specific duties requiring adsorption of odours and gaseous contaminants. Filters can be tailored to suit AHU dimensions or space restrictions and suit any air volume flowrate. The standard range of filters cover airflows from 0.25m³/sec to 1.0m³/sec with dwell times from 0.1 seconds to 0.5 seconds for increased carbon weight loading and adsorption efficiency. Larger airflows can be accommodated with specifically designed filter units or combinations of standard units.

Please see tables below for examples.

ACTIV-V Reference	Airflow Capacity (m³/sec)	Dwell Time (secs)	Dimensions		
			A	B	C
NV1	0.25	0.1	305	610	550
NV2	0.5	0.1	305	610	950
NV3	0.75	0.1	457	610	950
NV4	1.0	0.1	610	610	950

Maxicarb Reference	Airflow Capacity (m³/sec)	Dwell Time (secs)	Dimensions		
			A	B	C
1MXB1	0.25	0.2	355	610	950
1MXB2	0.25	0.3	355	610	950
1MXB3	0.25	0.5	355	610	1150
2MXB1	0.50	0.2	660	610	950
2MXB2	0.50	0.3	660	610	950
2MXB3	0.50	0.5	660	610	1150
3MXB1	0.75	0.2	965	610	950
3MXB2	0.75	0.3	965	610	950
3MXB3	0.75	0.5	965	610	1150
4MXB1	1.00	0.2	1270	610	950
4MXB2	1.00	0.3	1270	610	950
4MXB3	1.00	0.5	1270	610	1150

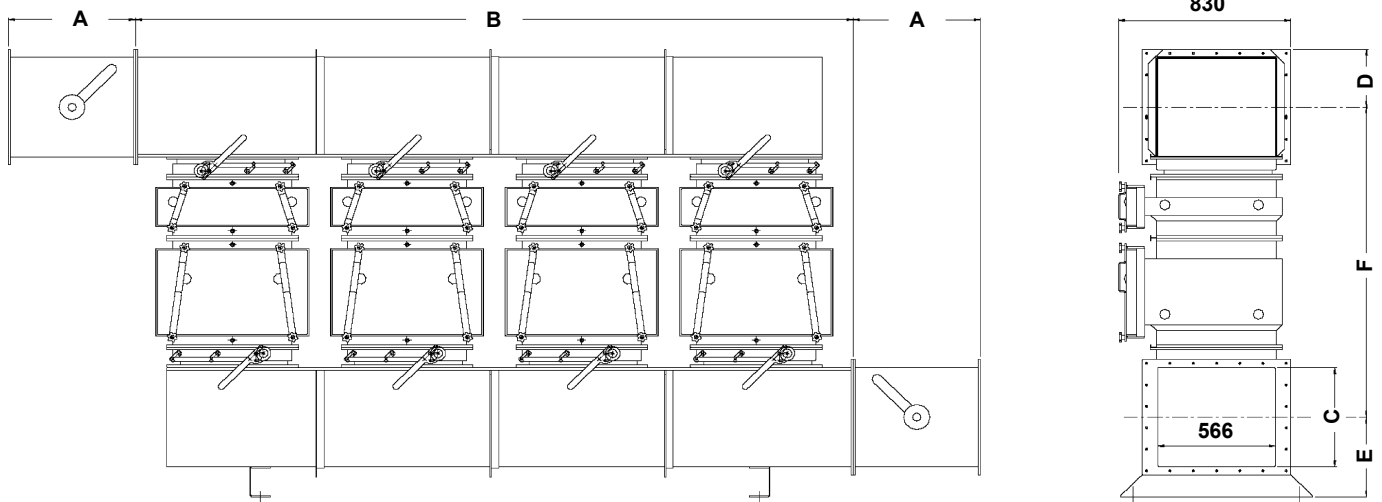


Typical Carbon Filter Unit

Containment System

Please see table and diagram below for containment systems, which can contain pre, HEPA and carbon filtration.

Please note dimensions are approximate only, for further details, please contact EMCEL.



Sections Long	A	B	C	D	E	F Main Filter Housing	F 1 Main & 1 Pre Filter Housing	F 2 Main & 1 Pre Filter Housing
1	420	943	274	179	289	828	1136	1686
2	420	1774	274	179	289	828	1136	1686
3	420	2614	380	232	342	934	1242	1792
4	420	3454	486	285	395	1040	1348	1898
5	420	4294	592	338	448	1146	1454	2004
6	420	5134	592	338	448	1146	1454	2004