

# STEEL TRUNKING SYSTEMS

Steel trunking systems incorporate clean lines with a functionality that provides greater mechanical strength combined with first class fire performance and excellent screening capability.

# STEEL TRUNKING SYSTEMS

Steel has a mechanical strength that makes it a robust and durable option for public areas where there is a high footfall. Steel trunking provides specifiers, contractors and end-users with reliable, practical systems with hard-wearing, clean lines and all the advantages of inherent LSOH (low smoke zero halogen) and screening properties.

Our compact Steel trunking systems incorporate stylish clean lines with a functionality that provides greater mechanical strength combined with first class fire performance, excellent screening capability and increased capacity for power and data services.

- Ease of installation - our base unit has two standard mounting holes of 6.5mm every 500mm
- Multiple earthing possibilities in the trunking, at the multi-purpose clip and with the coupler set
- Base systems held by internal coupler sets with scraping cams
- Friction fit covers
- Simple to cut system – empty base with no rail to cut through
- Wide range of fittings and accessories

## Standard colour

The standard colour for each Marshall-Tufflex range is shown within each relevant product information section, although solid white RAL 9010 is our most popular colour option for steel trunking.

The below table identifies the relevant RAL colour reference for all our standard colour options, dependent on product range. However we would be happy to quote for any other colour requirements, please see the Special colours section.

Material	Standard colour	Colour code suffix	RAL
Steel	White	WH	9010

Standard Colour
WH
WH: White RAL 9010

**Please note:** it is dependent on the product range as to which colour is available as standard.

## Special colours

To help enhance the style of an installation, different variations of solid colour are sometimes required.

We can provide special colours in a painted solution dependent on your client's preference. All special colour requirements will need to be specified as a RAL colour.

Please note: these colours are made to order and therefore are subject to set up charges and a longer lead time. For more information and a quotation contact our Technical Team on +44 (0)1424 856688.



**System 130****130 x 63mm**

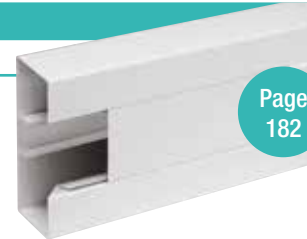
A compact rectangular dado trunking also suitable as a feeder trunking.



Page  
180

**System 170****170 x 63mm**

A mid-size rectangular dado and skirting trunking also suitable as a feeder trunking.



Page  
182

**Information**

**Please note:** our steel systems may be subject to lead times.  
For further information please call our Technical Team on +44 (0)1424 856688.

### Environmental & sustainability



- Steel is very friendly to the environment - 100% recyclable material.
- Compared to other materials it requires relatively low amounts of energy to produce.
- Can be recycled many times without loss of quality. The steel industry has been recycling for more than 150 years.
- Recycling one tonne of steel saves 1,100 kilos of iron ore, 630 kilos of coal and 55 kilos of limestone.
- Structural steel typically contains around 95% recycled steel content.
- Energy consumption and carbon dioxide emissions have decreased by half of what they were in the 1960s; Dust emissions have been reduced by even more.
- Recycling facilities are well established.

### EMI protection



- Steel naturally has very strong EMI protective properties.

### Fire performance



- Steel trunking systems meet accepted requirements for LSOH.
- Withstands high temperatures with a melting point of approximately 1370°C (2500°F).
- Type and thickness of any coating needs to be considered as this can affect fire performance.

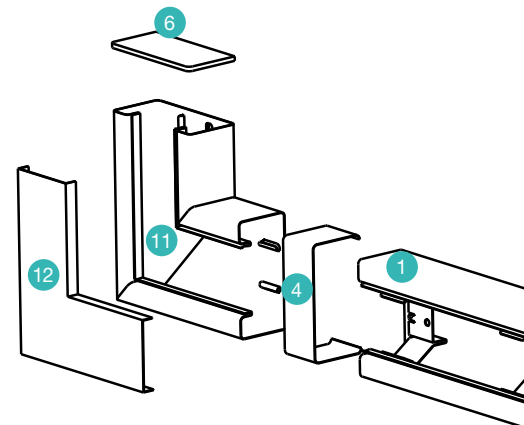
**Note:** you may use the rule on the left of this page to check profile sizes.

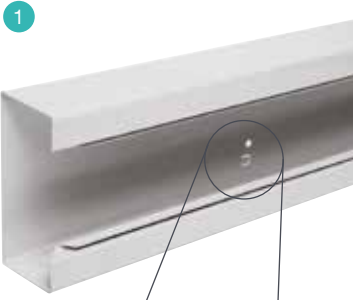
Our compact Steel trunking systems incorporate stylish clean lines with a functionality that provides greater mechanical strength combined with first class fire performance and excellent screening capability.

- Ease of installation - our base unit has two standard mounting holes of 6.5mm every 500mm
- Multiple earthing possibilities in the trunking, at the multi-purpose clip and with the coupler set
- Base systems held by internal coupler sets with scraping cams
- Friction fit covers
- Simple to cut system – empty base with no rail to cut through
- Wide range of fittings and accessories

Description	System 130	System 170
1 Base unit 2 metre	351215	351216
2 Cover 1 metre	351210	351210
Cover 1.5 metre	351230	351230
3 Dividing fillet*	351189	351189
4 External tolerance sleeve	351075	351076
5 External joint cover	351105	351106
6 End cap	351045	351046
7 Internal bend base	351275	351276
8 External bend base	351305	351306
9 External bend cover	351240	351240
10 Universal int/ext bend	351175	351176
11 Flat angle base up/down	351335	351336
12 Flat angle cover	351260	351260
13 Flat tee base – up/down	351395	351396
14 Internal coupling/bonding set	351525	351526
15 Universal multi-purpose clip	351319	351319

\* Please note 3 Universal multi-purpose clips (see page 181) are needed per length of trunking, and 2 Universal multi-purpose clips are needed to hold each dividing fillet in place.



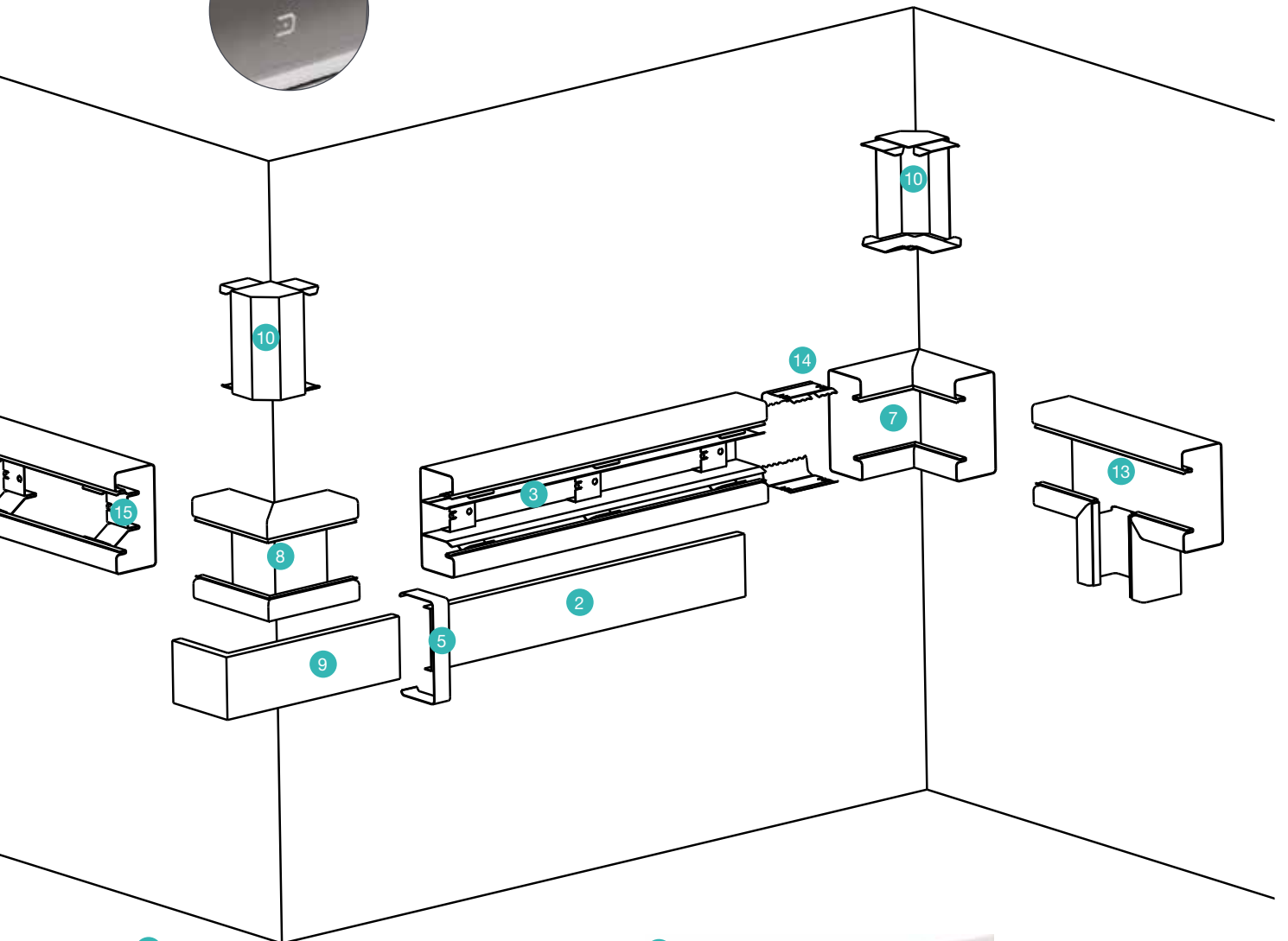


1 Two standard mounting holes of 6.5mm every 500mm for easy mounting.

Trunking bases have a 6.4mm earth tag at every 500mm.



3 Dividing fillets allow the systems to be subdivided into two or three compartments.



15 Multi-purpose clip allows separation of power and data cables - ensuring a 50mm distance between cables or can accommodate the dividing fillet.



1 Markings on the base help to position the wiring device boxes, measure and cut trunking to the desired length.

# SYSTEM 130

COMPLIANT UP TO  
**CAT 7A**

Steel System 130 is stylish compact pre galvanised trunking system with extra depth and a resilient white powder-coat finish that helps to prevent smearing and marking.

**Product information**

- 130 x 63mm
- 1 main compartment
- Can be subdivided
- Suitable for dado application
- Data compliant 25mm and 50mm bend radius
- Compliant up to Cat 7a

**Note:** Allowance must be made for earthing the trunking system to comply with the current version of the BS 7671 Wiring Regulations.



Can be subdivided into 3 compartments

Single cover

Friction-fit covers and bonding assemblies eliminate need for separate bonding straps

<b>Standard Colour</b>
WH
WH: White RAL 9010

Please note that our steel systems may be subject to lead times. For further information please call the Technical Team on +44 (0)1424 856688.

**Basic components**



**Base unit**

code	size	pack
351215	130 x 63mm	1 x 2m



**Cover**

code	length	pack
351210	1m	10 x 1m
351230	1.5m	10 x 1.5m

**Fittings**



**External tolerance sleeve**

code	width	pack
351075	40mm	5



**External joint cover**

code	width	pack
351105	25mm	5



**End cap**

code	pack
351045	5

For use with LBS3



**Internal bend base**

code	pack
351275	1



**External bend base**

code	pack
351305	1



**External bend cover**

code	pack
351240	1

Fittings



Universal int/ext bend		
code	size	pack
351175		1



Flat angle base – up/down		
code	size	pack
351335		1



Flat angle cover		
code	size	pack
351260		1



Flat tee base – up/down		
code	size	pack
351395		1

Components



Dividing fillets		
code	size	pack
351189	1m	10 x 1m



Universal multi-purpose clip		
code	size	pack
351319		1

Please note 3 Universal multi-purpose clips are needed per length of trunking, and 2 Universal multi-purpose clips are needed to hold each dividing fillet in place.



Internal coupling/bonding set		
code	size	pack
351525		10 sets

Please note each set consists of 2 pieces



End cap bonding strap		
code	size	pack
LBS3		1

Accessories

Touch-up paint  
RAL 9010

code	size	pack
351029	25ml	1

Boxes



1 gang accessory box		
code	depth	pack
RSSB10WH	40mm	12



2 gang accessory box		
code	depth	pack
RSSB20WH	40mm	6



Cover spacer for accessory boxes		
code	width	pack
WG01085	50mm	10



# SYSTEM 170

COMPLIANT UP TO  
**CAT 7A**

Steel System 170 is a mid-sized pre-galvanised trunking system with extra depth and a resilient white powder-coat finish that helps to prevent smearing and marking.

**Product information**

- 170 x 63mm
- 1 main compartment
- Can be subdivided
- Suitable for dado and skirting application
- Data compliant 25mm and 50mm bend radius
- Compliant up to Cat 7a

**Note:** Allowance must be made for earthing the trunking system to comply with the current version of the BS 7671 Wiring Regulations.



Can be subdivided into 3 compartments

Single cover

Friction-fit covers and bonding assemblies eliminate need for separate bonding straps

<b>Standard Colour</b>
WH
WH: White RAL 9010

Please note that our steel systems may be subject to lead times. For further information please call the Technical Team on +44 (0)1424 856688.

Basic components



**Base unit**

code	size	pack
351216	170 x 63mm	1 x 2m



**Cover**

code	length	pack
351210	1m	10 x 1m
351230	1.5m	10 x 1.5m

Fittings



**External tolerance sleeve**

code	width	pack
351076	40mm	5



**External joint cover**

code	width	pack
351106	25mm	5



**End cap**

code	pack
351046	5

For use with LBS3



**Internal bend base**

code	pack
351276	1



**External bend base**

code	pack
351306	1



**External bend cover**

code	pack
351240	1



Fittings



Universal int/ext bend		
code	size	pack
351176		1



Flat angle base – up/down		
code	size	pack
351336		1



Flat angle cover		
code	size	pack
351260		1



Flat tee base – up/down		
code	size	pack
351396		1

Components



Dividing fillets		
code	size	pack
351189	1m	10 x 1m



Universal multi-purpose clip		
code	size	pack
351319		1

Please note 3 Universal multi-purpose clips are needed per length of trunking, and 2 Universal multi-purpose clips are needed to hold each dividing fillet in place.



Internal coupling/bonding set		
code	size	pack
351526		10 sets

Please note each set consists of 2 pieces



End cap bonding strap		
code	size	pack
LBS3		1

Accessories

Touch-up paint  
RAL 9010

code	size	pack
351029	25ml	1

Boxes



1 gang accessory box		
code	depth	pack
RSSB10WH	40mm	12



2 gang accessory box		
code	depth	pack
RSSB20WH	40mm	6



Cover spacer for accessory boxes		
code	width	pack
WG01085	50mm	10

## Contact our team Our office opening hours are 8am to 5pm Monday to Friday

Customer Services

+44 (0)1424 856600

sales@marshall-tufflex.com

Technical Services

+44 (0)1424 856688

technical@marshall-tufflex.com

## Technical support

Our Technical Team consists of qualified Electricians, Electrical and Mechanical Engineers with many years experience of cable management installations including an understanding of the regulations and compliancy to standards in both domestic and commercial sectors. The team can advise on a wide range of solutions and technical issues, product standards, data cabling control and Part M compliancy.

We pride ourselves on providing and supplying our customers with specialist solutions to suit a variety of needs and the team's expertise enables us to provide quotations for specialist solutions. We aim to complete all standard quotes within 1 working day, although more complex quotations such as 'take offs' can take longer.



## First class customer service

Our Customer Service Team are on hand to advise on stock availability, lead times, delivery schedules and order fulfilment.



## BIM (Building Information Modelling)

3D Autodesk Revit models are now available to download for Marshall-Tufflex products, with the necessary technical product data for them to be easily specified and integrated into a construction project.

Visit [www.marshall-tufflex.com](http://www.marshall-tufflex.com) or [www.bimstore.co.uk](http://www.bimstore.co.uk)



## Same day collection\*



Our popular same day collection service gives our customers an unrivalled two-hour turnaround on product orders, allowing them to collect from our dedicated collection points in Manchester and London. Orders can also be collected next day from our Hastings depot.

### Manchester

Europa Trading Estate, Stoneclough Road, Radcliffe, Manchester M26 1GG

### London

101c Blackhorse Lane, London E17 6DJ

- Orders can be collected two hours after order placement from Manchester and London.
- Orders received by 5pm will be ready for collection from 10am the following day.

### Hastings

55-65 Castleham Road, St Leonards-on-Sea TN38 9NU

- Orders placed by 12.30pm can be collected from 10am the next day from our Hastings depot.

\* Subject to stock availability



Follow us on  
Twitter @MTufflex

For details regarding collections, please contact our Customer Services team on +44 (0)1424 856600 or email [sales@marshall-tufflex.com](mailto:sales@marshall-tufflex.com)