

ACCESSORY BOXES, PLATES AND ENCLOSURES

Surface and flush accessory boxes, enclosures and accessories that are compatible with Marshall-Tufflex trunking systems.

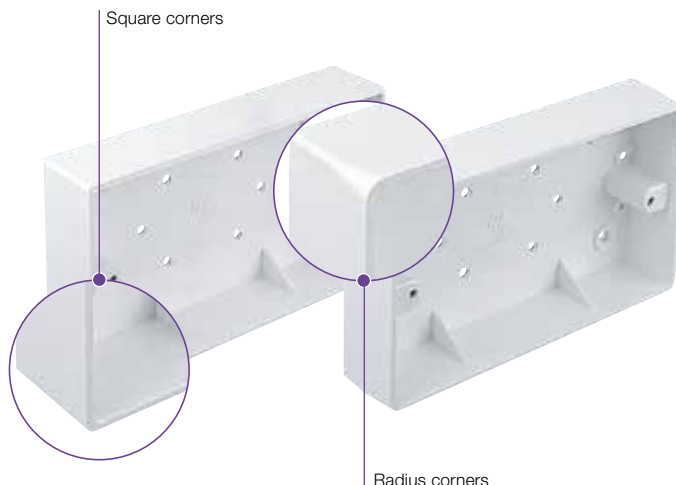


PLAIN SURFACE MOUNT BOXES

Standard fixed accessory boxes without knockouts for surface installation.

Product information

- 1 gang 87 x 87mm (external dimension)
- 2 gang 87 x 147mm
- M3.5 brass inserts
- Can be cut and drilled without the risk of shattering
- Boxes comply with BS 4662:2006+A1:2009
- Radius and square corner variants



| |
|------------------------|
| Standard Colour |
| WH |
| WH: White |

ACCESSORY BOXES, PLATES AND ENCLOSURES

Square corners



1 gang accessory box square corners

| code | depth | pack |
|----------|-------|------|
| MSSB10WH | 32mm | 20 |
| MSSB17WH | 44mm | 10 |



2 gang accessory box square corners

| code | depth | pack |
|----------|-------|------|
| MSSB11WH | 32mm | 10 |
| MSSB23WH | 44mm | 5 |

Radius corners



1 gang accessory box radius corners

| code | depth | pack |
|----------|-------|------|
| MSSB26WH | 19mm | 20 |
| MSSB19WH | 32mm | 20 |
| MSSB40WH | 44mm | 10 |



2 gang accessory box radius corners

| code | depth | pack |
|----------|-------|------|
| MSSB21WH | 32mm | 10 |
| MSSB41WH | 44mm | 5 |



Dual gang accessory box

| code | depth | pack |
|----------|-------|------|
| MSSB81WH | 32mm | 10 |

Cover plates



Cover plate – flat

| code | description | pack |
|---------|-------------|------|
| MSCP2WH | 1 gang | 20 |
| MSCP3WH | 2 gang | 10 |

Depth 2mm

FLUSH MOUNTED DRY LINING BOXES

Flush mounted boxes for use within stud walls for alleviating the necessity of using noggins. Boxes feature a wide securing flange around the outer rim.

Product information

- Wide securing flange to prevent box passing through cavity
- Swivelling snap out clamps will tightly grip a range of standard thickness building boards
- Earth terminal provision incorporated
- British Patent Application No. 8208041

Snap out clamps with size identification by colour:

| Wall thickness adjustment | Clamp colour |
|---------------------------|--------------|
| 1 - 9mm | Grey |
| 6 - 14mm | White |
| 18 - 25mm | Green |
| 9 - 26mm | Black |



Wide securing flanges

| Standard Colour |
|-----------------|
| WH |
| WH: White |

Standard



**1 gang
34mm internal depth**

| code | adjustment | pack |
|---------|------------|------|
| MDLB3WH | 1-9mm | 20 |
| MDLB1WH | 6-14mm | 20 |
| MDLB7WH | 18-25mm | 20 |

**2 gang
34mm internal depth**

| code | adjustment | pack |
|---------|------------|------|
| MDLB4WH | 1-9mm | 10 |
| MDLB2WH | 6-14mm | 10 |
| MDLB8WH | 18-25mm | 10 |

**Dual gang
34mm internal depth**

| code | adjustment | pack |
|----------|------------|------|
| MDLB22WH | 6-14mm | 5 |

Shallow



**1 gang
25mm internal depth**

| code | adjustment | pack |
|----------|------------|------|
| MDLB13WH | 1-9mm | 10 |

**2 gang
25mm internal depth**

| code | adjustment | pack |
|----------|------------|------|
| MDLB14WH | 1-9mm | 10 |

FIRE SECURITY

Intumescent fire barrier pads

Fire Barrier Pads are now a requirement of Document B of the UK Building Regulations. For information on Fire Barrier Pads please refer to page 140 in our Fire and Security section or contact our Technical Team on +44 (0)1424 856688.



Deep



**1 gang
46mm internal depth**

| code | adjustment | pack |
|----------|------------|------|
| MDLB29WH | 9-26mm | 10 |

**2 gang
46mm internal depth**

| code | adjustment | pack |
|----------|------------|------|
| MDLB30WH | 9-26mm | 5 |

Accessories



Brass earthing terminal

| code | Rating | pack |
|------|--------|------|
| MET1 | 15 Amp | 100 |

CIRCULAR DRY LINING AND ADAPTABLE BOXES

Circular flush mounted boxes.

Product information

- Wide securing flange to prevent box passing through cavity
- For board thickness from 9 to 32mm measured from the face of the board
- Swivelling snap out clamps fix the box firmly into position (screws provided)

| |
|------------------------|
| Standard Colour |
| WH |
| WH: White |

Colour options: Other colours are available but may be subject to minimum order quantities and longer lead times. For further information please contact the Technical Team on +44 (0)1424 856688.



Wide securing flanges

FIRE SECURITY

Intumescent fire barrier pads

Fire Barrier Pads are now a requirement of Document B of the UK Building Regulations. For information on Fire Barrier Pads please refer to page 140 in our Fire and Security section or contact our Technical Team on +44 (0)1424 856688.



Dry lining boxes



Double back entry - loop in 34mm internal depth (white clamps)

| code | fix. centre | pack |
|-----------------|-------------|------|
| MDCRB2WH | 50.8/60.3mm | 10 |

Ø cut out = 70mm

Moulded enclosures



Moulded enclosure unit (Adaptable box)

| code | external size | pack |
|-------------------|------------------|------|
| MTAB75AWH | 81 x 81 x 67mm | 10 |
| MTAB100AWH | 106 x 106 x 67mm | 10 |
| MTAB150BWH | 155 x 155 x 92mm | 4 |

Also available in black

Product information

- Degree of protection IP66.
- Raised pads in base of box to allow accessory mounting nuts to be recessed.
- Silicon rubber lid seal supplied as standard.
- Brass inserts M3.5 with stainless countersunk fixing screws.
- Suitable for drilling or cutting.
- Raised flat lid for strength.

Earth rod box



Earth rod box Green only

| code | external size | pack |
|-----------------|----------------|------|
| MECB75GN | 81 x 81 x 67mm | 10 |

Product information

- Protects connection to earth rod.
- Earth rod/cable entry \varnothing 7-10.5mm.

p260

Technical
Information

WIRING ACCESSORIES

A range of power accessories that comply with BS 1363.

Product information

- Supplied as complete modules including back boxes
- Suitable for all PVC-U and aluminium dado and skirting trunking (excluding Sovereign Plus, Maxi and Sceptre)
- Suitable for bench trunking, powerpoles and posts
- Flush finish
- Twin sockets have dual earth entry



| |
|------------------------|
| Standard Colour |
| WH |
| WH: White |

Colour options: optional colours and finishes are available but these may be subject to minimum quantity orders and longer lead times. For more information contact the Technical Team on +44 (0)1424 856688.

Wiring accessories



13Amp DP 1 gang switched socket

| code | pack |
|--------|------|
| ESS1WH | 1 |



13Amp DP 2 gang switched socket

| code | pack |
|--------|------|
| ESS2WH | 1 |

Twin sockets are supplied with two earth terminals



13Amp DP 2 gang switched socket (front fix)

| code | pack |
|--------|------|
| ESS3WH | 1 |



13Amp DP 1 gang vertical mount switched socket

| code | pack |
|---------|------|
| ESS11WH | 1 |

Note: For use in PowerPoles, Posts and vertical trunking runs



Accessory box spacer

| code | size | pack |
|-------|------|------|
| ES1WH | 14mm | 4 |

For use between accessory boxes

ACCESSORY BOXES, PLATES AND ENCLOSURES

VOICE AND DATA

Voice and data plates that incorporate apertures to accommodate LJ6C outlets.

Product information

- Flush mounting plates
- Standard LJ6C accessories with 22 x 37mm apertures

| Standard Colour |
|-----------------|
| WH |
| WH: White |

Colour options: optional colours and finishes are available but these may be subject to minimum quantity orders and longer lead times. For more information contact the Technical Team on +44 (0)1424 856688.



Flush module

| code | description | pack |
|---------|-------------|------|
| EM116WH | 1 x 6c | 1 |

Flush module

| code | description | pack |
|---------|-------------|------|
| EM126WH | 2 x 6c | 1 |



Accessory box spacer

| code | size | pack |
|-------|------|------|
| ES1WH | 14mm | 4 |

For use between accessory boxes

Components Boxes with flush plates

ACCESSORY BOXES, PLATES AND ENCLOSURES

Not only are we reducing landfill;
MANUFACTURING FROM RECYCLED PVC-U REDUCES CARBON EMISSIONS BY 20 TIMES VS VIRGIN MATERIAL

REASSURINGLY RECYCLED



ACCESSORY BOXES

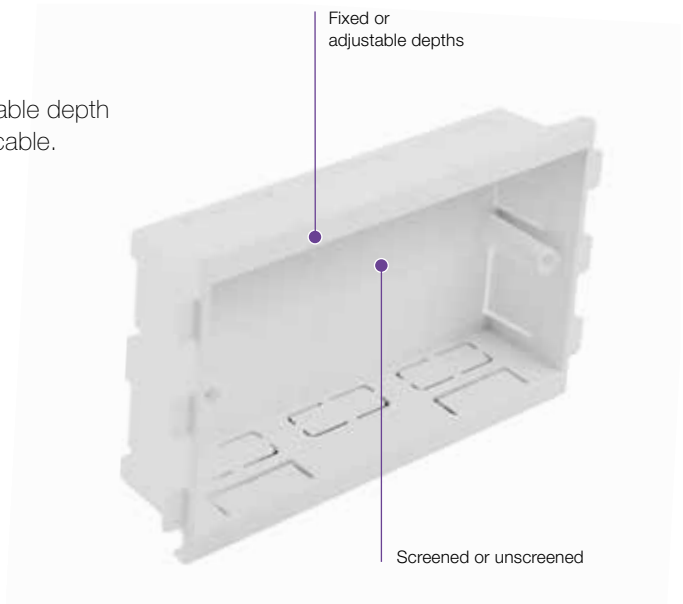
A range of standard and screened options, including adjustable depth boxes that are particularly suitable for data or 4mm² power cable.

Product information

- Accept standard UK accessories
- Standard screw fixing centres
- Adjustable depth
- Part M compliance (see page 54)

| |
|------------------------|
| Standard Colour |
| WH |
| WH: White |

Colour options: optional colours and finishes are available but these may be subject to minimum quantity orders and longer lead times. For more information contact the Technical Team on +44 (0)1424 856688.



Boxes for UK accessories

ACCESSORY BOXES, PLATES AND ENCLOSURES



1 gang accessory box

| code | depth | pack |
|---------|-------|------|
| ESSB1WH | 30mm | 20 |



2 gang accessory box

| code | depth | pack |
|---------|-------|------|
| ESSB2WH | 30mm | 10 |



1 gang adjustable depth box

| code | depth | pack |
|--------|-----------|------|
| EAB1WH | 32 – 47mm | 10 |



2 gang adjustable depth box

| code | depth | pack |
|--------|-----------|------|
| EAB2WH | 32 – 47mm | 5 |



1 gang accessory box *Screened

| code | depth | pack |
|-----------|-------|------|
| ESSB1SWH* | 30mm | 20 |

*Screened boxes supplied complete with earth terminal



2 gang accessory box *Screened

| code | depth | pack |
|-----------|-------|------|
| ESSB2SWH* | 30mm | 10 |

*Screened boxes supplied complete with earth terminal



1 gang accessory plate

| code | pack |
|---------|------|
| ESSP1WH | 2 |



2 gang accessory plate

| code | pack |
|---------|------|
| ESSP2WH | 2 |

Part M

For boxes that meet the requirements of Part M (DDA) please refer to page 54.



p261

Technical Information

INTERNATIONAL ACCESSORY BOXES

A range of trunking accessory boxes and mounting plates that accept international standard accessories

Product information

- MTOP10 and 20 and ETOP10, 20 and 30 plates accept Legrand's 45mm range of outlets
- MTOP11 and 21 and ETOP11, 21 and 31 plates are for Ave sockets
- ETOP180 accepts standard US and international outlets

| |
|------------------------|
| Standard Colour |
| WH |
| WH: White |

Colour options: optional colours and finishes are available but these may be subject to minimum quantity orders and longer lead times. For more information contact the Technical Team on +44 (0)1424 856688.



ETOP faceplates can be inserted directly into trunking base profiles without the need for an accessory box



1 gang 45mm accessory plate

| code | aperture | pack |
|----------|-----------|------|
| ETOP10WH | 45 x 45mm | 20 |
| ETOP11WH | 50 x 45mm | 20 |



2 gang 45mm accessory plate

| code | aperture | pack |
|----------|------------|------|
| ETOP20WH | 90 x 45mm | 15 |
| ETOP21WH | 100 x 45mm | 10 |



3 gang 45mm accessory plate

| code | aperture | pack |
|----------|------------|------|
| ETOP30WH | 135 x 45mm | 10 |
| ETOP31WH | 150 x 45mm | 10 |



Duplex 83.5mm accessory plate

| code | depth | pack |
|-----------|-------|------|
| ETOP180WH | 2mm | 15 |



1 gang surface mount outlet plate

| code | aperture | pack |
|----------|-----------|------|
| MTOP10WH | 45 x 45mm | 30 |
| MTOP11WH | 50 x 45mm | 30 |



2 gang surface mount outlet plate

| code | aperture | pack |
|----------|------------|------|
| MTOP20WH | 90 x 45mm | 20 |
| MTOP21WH | 100 x 45mm | 20 |

MTOP faceplates

1 gang plates require ESSB1 boxes.

2 gang plates require ESSB2 boxes.



1 gang schuko accessory box

| code | depth | pack |
|----------|-------|------|
| ESSBU1WH | 40mm | 10 |



2 gang schuko accessory box

| code | depth | pack |
|----------|-------|------|
| ESSBU2WH | 40mm | 5 |